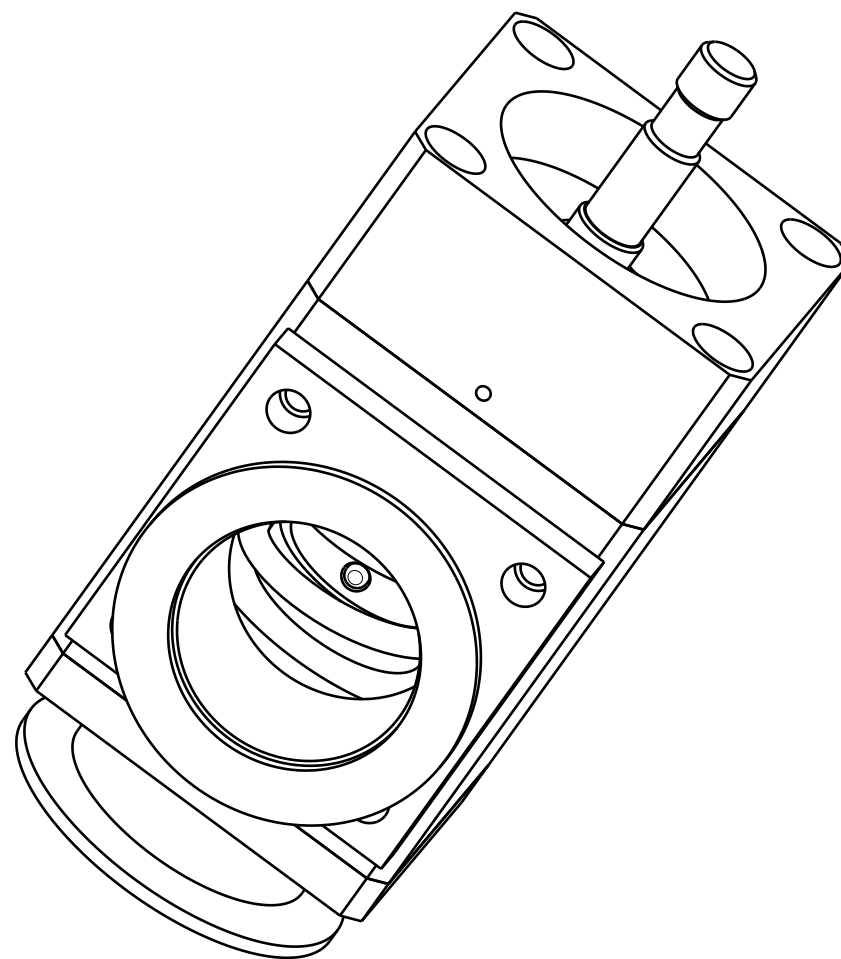
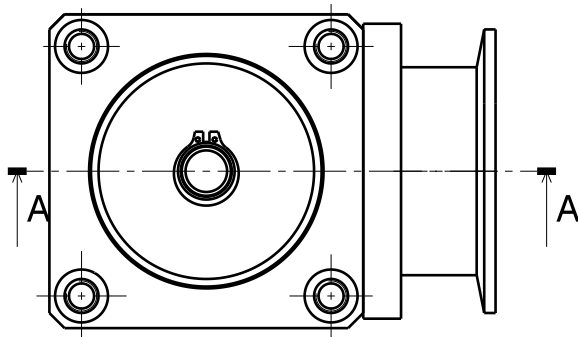


Section view A-A



Isometric view



Front view

**PART LIST**

SL NO	DESCRIPTION	QTY	REFERANCE
1	BODY ASSEMBLY	1 NO	2014-15/RPV50/ASBLY/002
2	LIFTER ASSEMBLY	1 NO	2014-15/RPV50/ASBLY/003
F1	M8X35mm LONG SHCS	4 NO	STD

**QTY: 3 nos**

**Global Vacuum Products**

**DRNG NUMBER: 2014-15/RPV50/ASBLY/001**